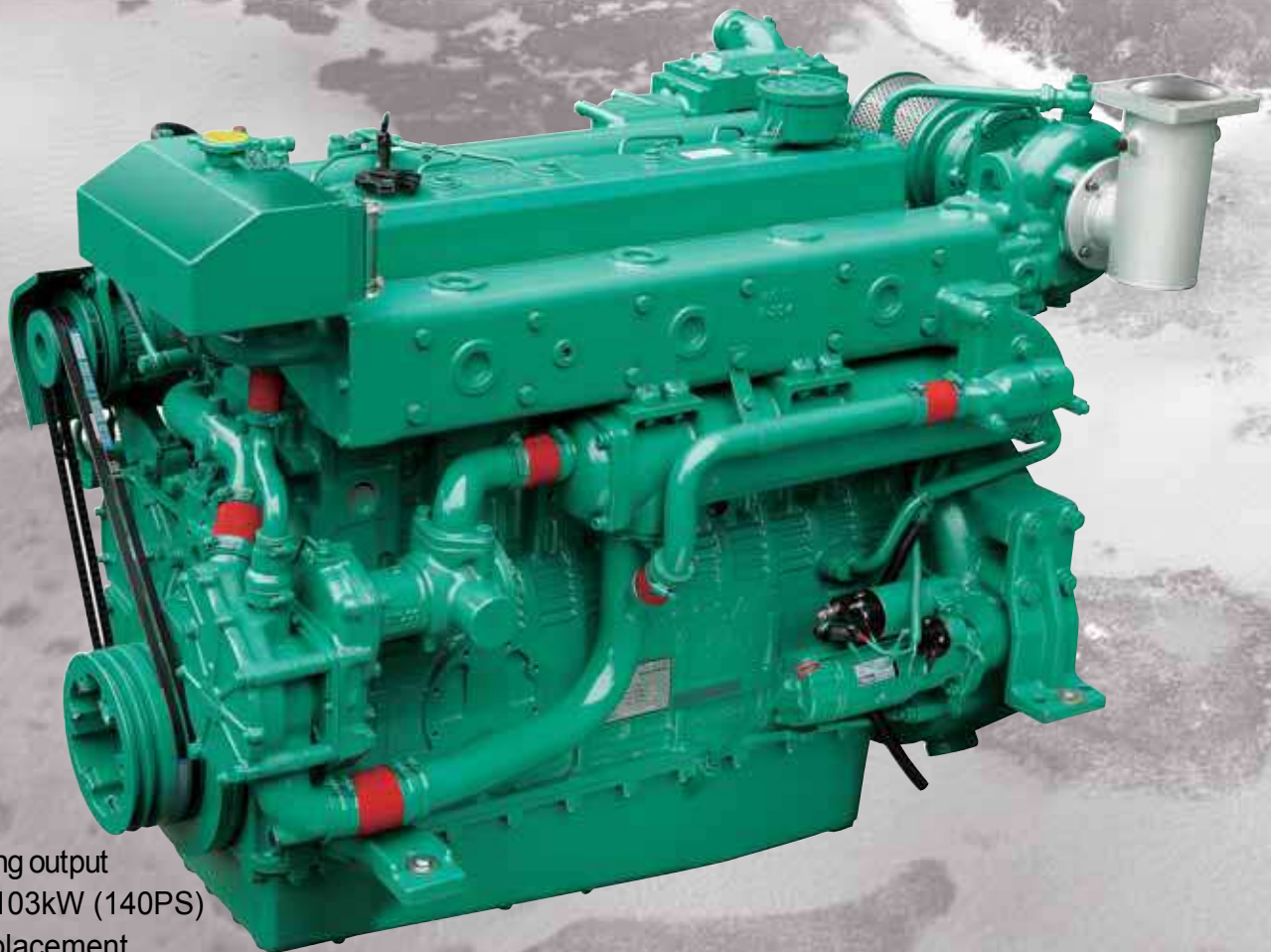




# Marine Diesel Engine L126KB

- Compact Design
- Excellent Performance
- Low Fuel Consumption
- Easy Maintenance



- Rating output  
103kW (140PS)
- Displacement  
11,051cc
- Dimension (L x W x H)  
1,414 x 933 x 1,077mm  
Without Reduction Gear

**Doosan Infracore**  
Engine

## Main Specification

Model	Units	L126KB	
Engine type		4cycle, in line, direct-injection, water cooled with turbo charger & inter-cooler	
Rating output	PS(kW)/ rpm	140(103)/1,500	
Displacement	cc	11,051	
Cylinder number - bore stroke	mm	6 - 123 x 155	
Flywheel housing & fly wheel		SAE 1 & 14	
Low idling rpm	rpm	650 ± 25	
No load max. rpm	rpm	below 1,850	
Compression ratio		17 : 1	
Firing order		1 - 5 - 3 - 6 - 2 - 4	
Governor type of injection pump		Mechanical all speed (R.S.V)	
Fuel consumption(only Ref.)@ rated power	g / PS.h	153.5	
Starting system		Electric Starting by starter motor	
Starter motor capacity	V - kW	24 - 6	
Alternator capacity	V - A	24 - 50	
Battery	V - Ah	24 - 150	
Cooling system		Indirect sea water cooling with heat exchanger	
Cooling water capacity	Max. / Min. lit	24 / 19	
Fresh water pump type		Centrifugal type, driven by belt	
Sea water pump type		Rubber impeller type driven by belt	
Lubricating oil(Engine)	Pan capacity	lit	Max : 25, Min : 19 (Engine total : 27)
	Pressure	kg/ cm <sup>2</sup>	Full : 3.5, Idle : 1.2
Direction of revolution	Crankshaft		Counter clockwise viewed from stern side
Engine Size(L W H)	Without M/ G	mm	1,414 x 933 x 1,077
Engine dry weight	Without M/ G	kg	1,060

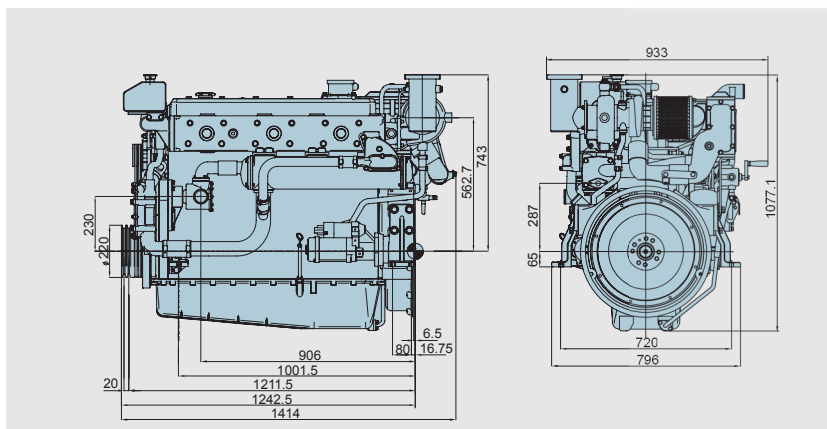
## Marine rating to ISO 3046

### Heavy Duty

- Operation hours : unlimited per year, unlimited per day
- Average load application : up to 90%
- Percentages of time at full load : up to 80%
- Typical gearbox ratio : 2.5~6

\* Application : Fishing trawler, Tug boat, Pushing vessel, Cargo boat, Freighter

## Engine Dimension



(Jan.2013)

## Doosan Infracore Engine

21/F, Doosan Tower, 18-12, Euljiro 6-ga,  
Jung-gu, Seoul, 100-730, Korea.  
Tel : 82 2 3397 8400  
Fax : 82 2 3397 8509  
Email : doosanmarineengines@doosan.com  
http://engine.doosaninfracore.co.kr

AUTHORIZED DEALER



Specifications are subject to change without prior notice.