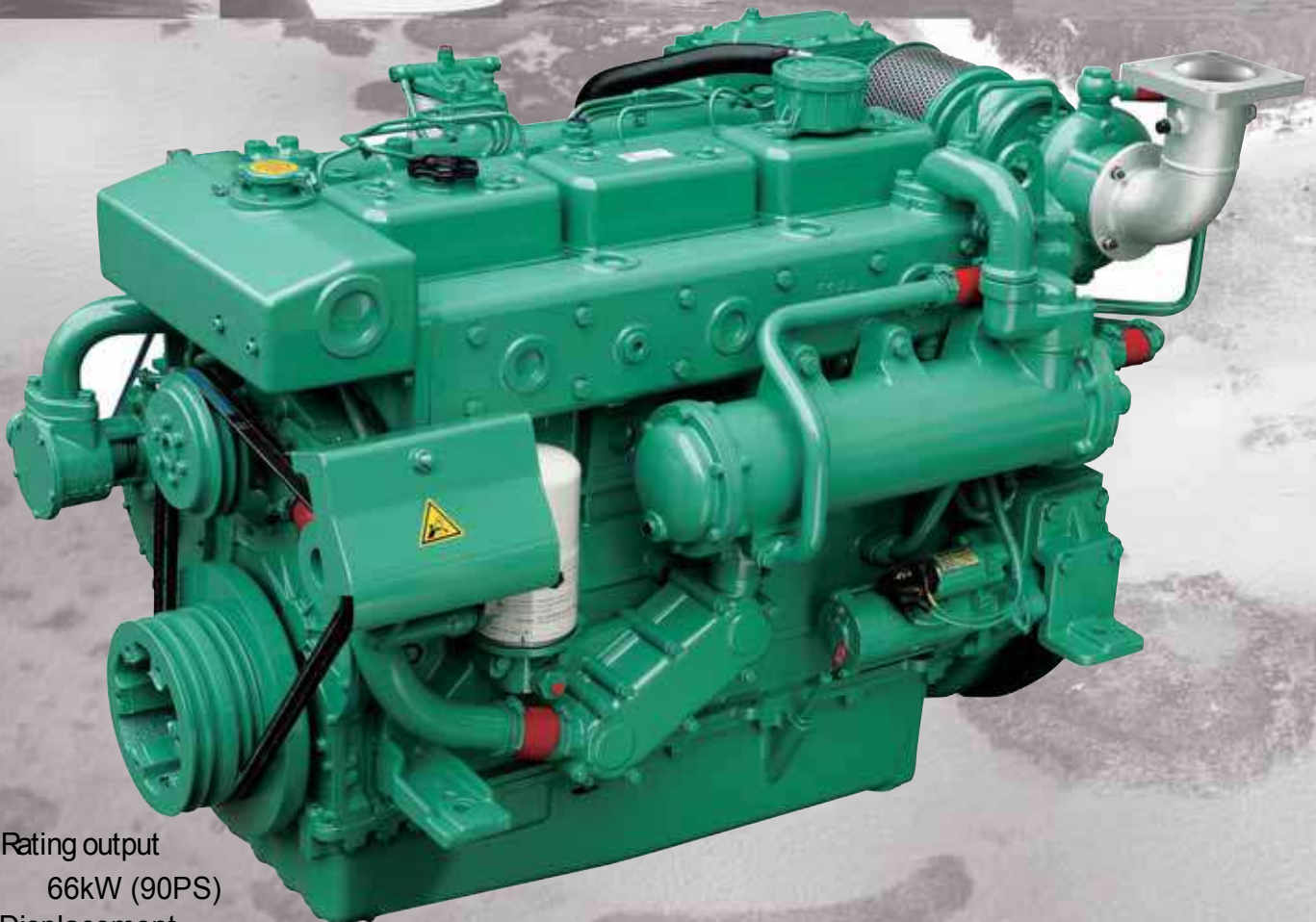




Marine Diesel Engine L136FN

- Compact Design
- Excellent Performance
- Low Fuel Consumption
- Easy Maintenance



- Rating output
66kW (90PS)
- Displacement
8,071cc
- Dimension (L x W x H)
1,266 x 875 x 937mm
Without Reduction Gear

Doosan Infracore
Engine

Main Specification

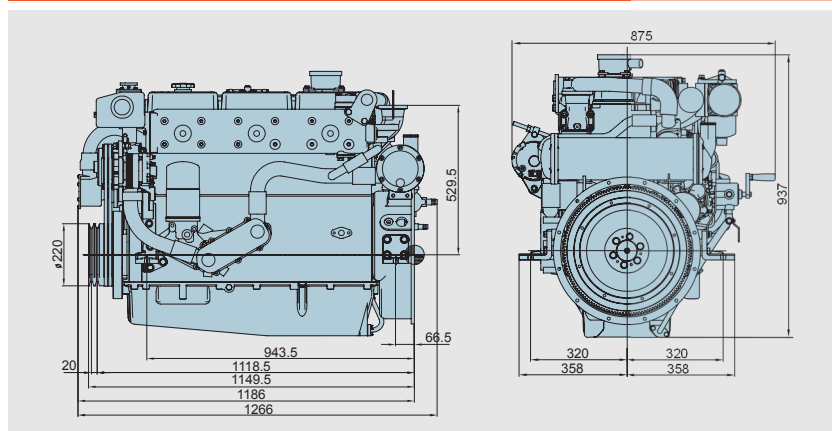
Model	Units	L136FN	
Engine type		4cycle, in line, direct-injection, water cooled aspirated naturally	
Rating output	PS(kW)/ rpm	90(66)/1,800	
Displacement	cc	8,071	
Cylinder number - bore stroke	mm	6 - 111 x 139	
Flywheel housing & fly wheel		SAE 2 & 11 1/2	
Low idling rpm	rpm	675 ± 25	
No load max. rpm	rpm	below 2,100	
Compression ratio		17.6 : 1	
Firing order		1 - 5 - 3 - 6 - 2 - 4	
Governor type of injection pump		Mechanical all speed (R.S.V)	
Fuel consumption(only Ref.)@ rated power	g / PS.h	162.0	
Starting system		Electric Starting by starter motor	
Starter motor capacity	V - kW	24 - 4.5	
Alternator capacity	V - A	24 - 50	
Battery	V - Ah	24 - 100	
Cooling system		Indirect sea water cooling with heat exchanger	
Cooling water capacity	Max. / Min. lit	25 / 23	
Fresh water pump type		Centrifugal type, driven by belt	
Sea water pump type		Rubber impeller type driven by belt	
Lubricating oil(Engine)	Pan capacity	lit	Max : 23, Min : 17 (Engine total : 25)
	Pressure	kg/ cm ²	Full : 3.5, Idle : 1.2
Direction of revolution	Crankshaft		Counter clockwise viewed from stern side
Engine Size(L W H)	Without M/ G	mm	1,266 x 875 x 937
Engine dry weight	Without M/ G	kg	743

Marine rating to ISO 3046

Heavy Duty

- Operation hours : unlimited per year, unlimited per day
- Average load application : up to 90%
- Percentages of time at full load : up to 80%
- Typical gearbox ratio : 2.5~6
- * Application : Fishing trawler, Tug boat, Pushing vessel, Cargo boat, Freighter

Engine Dimension



(Feb 2015)

Doosan Infracore Engine

21/F, Doosan Tower, 18-12, Euljiro 6-ga,
Jung-gu, Seoul, 100-730, Korea.
Tel : 82 2 3397 8400
Fax : 82 2 3397 8509
Email : doosanmarineengines@doosan.com
http://engine.doosaninfracore.co.kr

AUTHORIZED DEALER

Specifications are subject to change without prior notice.