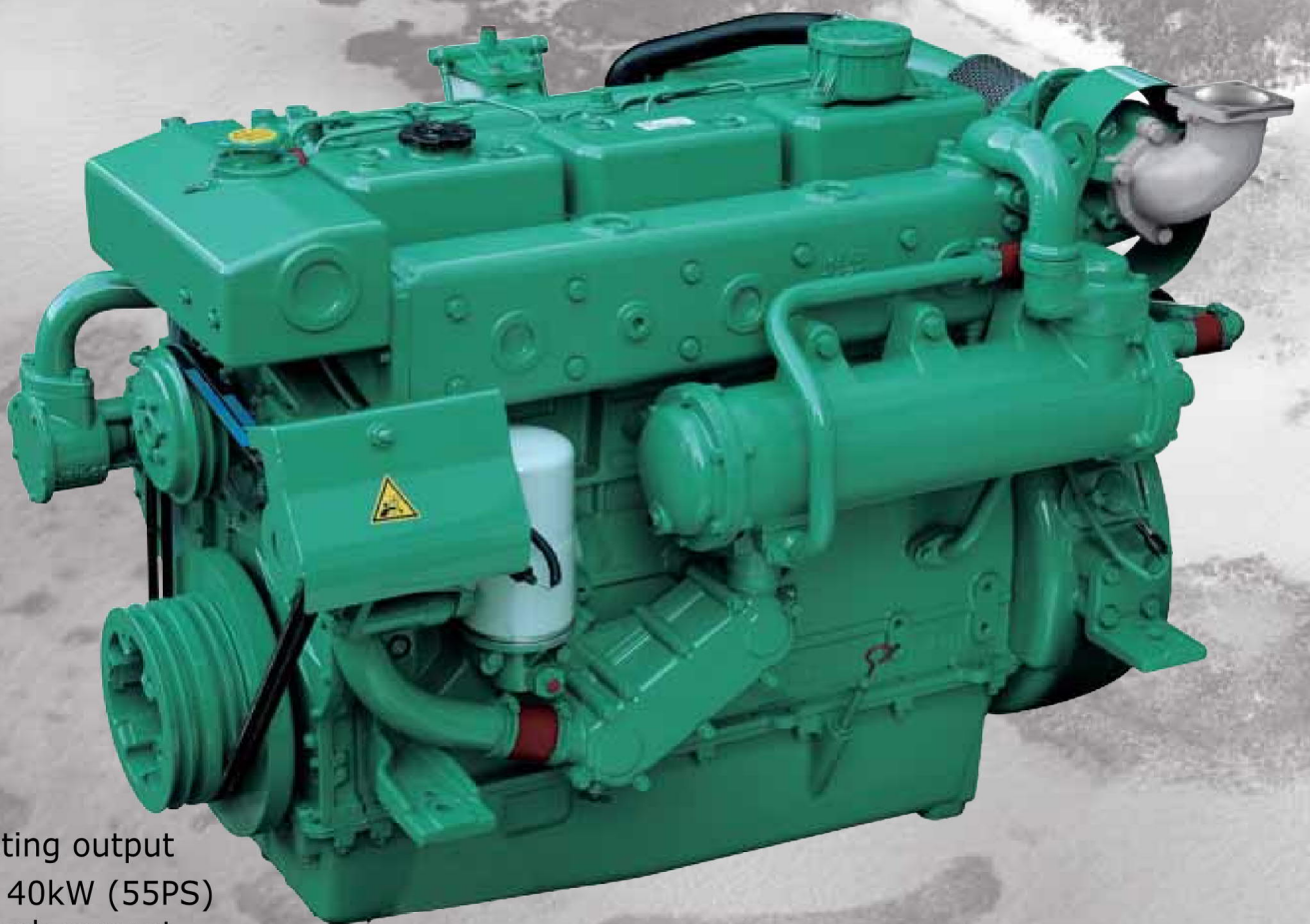




Marine Diesel Engine L136SC

- Compact Design
- Excellent Performance
- Low Fuel Consumption
- Easy Maintenance



- Rating output
 - 40kW (55PS)
- Displacement
 - 8,071cc
- Dimension (LxWxH)
 - 1,351×893×937mm
 - Without Reduction Gear

Doosan Infracore
Engine

Main Specification

Model	Units	L136SC
Engine type		4cycle, In line, direct-injection, water cooled with turbo charger
Rating output	PS(kW)/rpm	55(40) / 1,500
Displacement	cc	8,071
Cylinder number -bore × stroke	mm	6 - 111× 139
Flywheel housing & fly wheel		SAE 2 & 11 1/2
Low idling rpm	rpm	625 ± 25
No load max. rpm	rpm	below 1,750
Compression ratio		16.8 : 1
Firing order		1 - 5 - 3 - 6 - 2 - 4
Governor type of injection pump		Mechanical all speed (R.S.V)
Fuel consumption (only Ref.)@rated power	g / ps.h	160
	Lit/h	10.60
Starting system		Electric Starting by starter motor
Starter motor capacity	V - kW	24 - 4.5
Alternator capacity	V - A	24 - 50
Battery	V - Ah	24 - 100
Cooling system		Indirect sea water cooling with heat exchanger
Cooling water capacity	Max. / Min.	lit 27 / 25
Fresh water pump type		Centrifugal type, driven by V-belt
Sea water pump type		Rubber impeller type driven by gear
Lubricating oil (Engine)	Pan capacity	lit Max : 23, Min : 17 (Engine total : 25)
	Pressure	kg/cm ² Full : 3.5, Idle : 1.2
Direction of revolution	Crankshaft	Counter clockwise viewed from stern side
Engine Size(L× W× H)	Without M/G	mm 1,351× 893× 937
Engine dry weight	Without M/G	kg 748

※ H : Heavy Duty

Performance

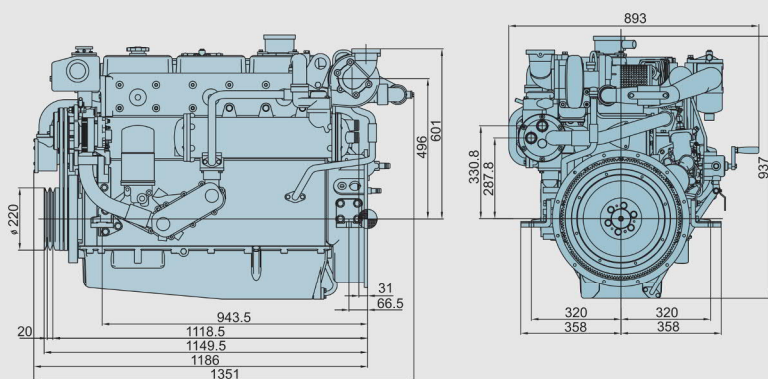
Marine rating to ISO 3046

Heavy Duty

- Operation hours : unlimited per year, unlimited per day
- Average load application : up to 90%
- Percentages of time at full load : up to 80%
- Typical gearbox ratio : 2.5~6

* Application : Fishing trawler, Tug boat, Pushing vessel, Cargo boat, Freighter

Engine Dimension

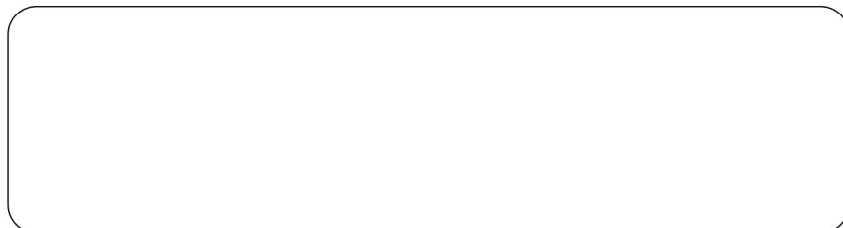


(Jan.2013)

Doosan Infracore Engine

21/F, Doosan Tower, 18-12, Euljiro 6-ga,
Jung-gu, Seoul, 100-730, Korea.
Tel : 82 2 3397 8400
Fax : 82 2 3397 8509
Email : doosanmarineengines@doosan.com
http://engine.doosaninfracore.co.kr

AUTHORIZED DEALER



* Specifications are subject to change without prior notice.